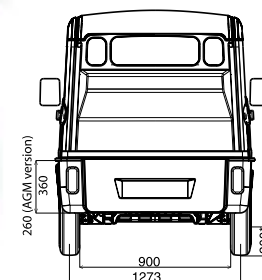
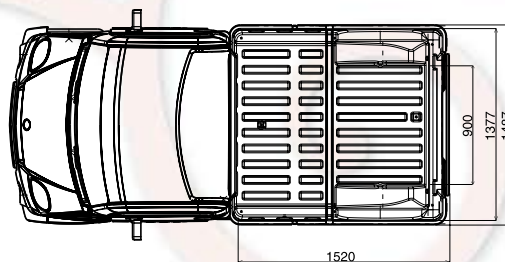
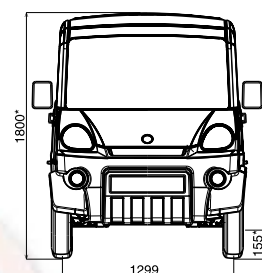
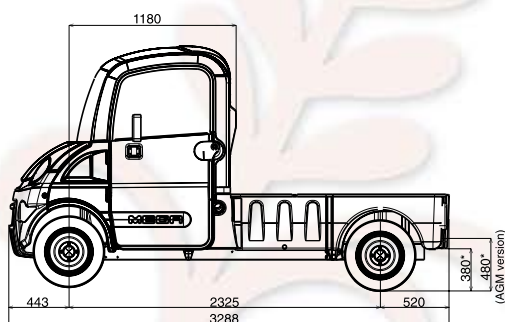




Dimensions (mm)

| | |
|---|-------|
| Wheel base | 2 325 |
| Overall length | 3 288 |
| Overall width (excluding rear view mirrors) | 1 487 |
| Overall height* | 1 800 |
| Bed interior length | 1 520 |
| Bed interior width | 1 377 |
| Tailgate width | 900 |
| Bed height (diesel) | 360 |
| Bed height (AGM batteries - maintenance free) | 260 |
| Bed height (flooded batteries) | 190 |
| Height load (diesel)* | 380 |
| Height load (AGM batteries - maintenance free)* | 480 |
| Height load (flooded batteries)* | 550 |
| Front ground clearance* | 155 |
| Rear ground clearance* | 200 |
| Front track | 1 299 |
| Rear track | 1 273 |
| Rear overhang | 520 |



* Unladen vehicle ± 20mm

4 colours choice:



Weight (kg)

| | Multitruck Diesel 400 | Multitruck Diesel 600 | Multitruck AC Power flooded batteries | Multitruck AC Power AGM batteries (maintenance free) | Multitruck Electric - no licence version** |
|---|-----------------------|-----------------------|---------------------------------------|--|--|
| Payload* | up to 500 kg | | | | |
| Pick up finishing equipment weight | 30 | | | | |
| Max. tolerated load on Front axle | 390 | 475 | 520 | 520 | 520 |
| Max. tolerated load on Rear axle | 450 | 690 | 690 | 690 | 690 |
| Loaded trailer (without brakes) max. weight | NA | | | | |
| Loaded trailer (with brakes) max. weight | NA | | | | |

* Includes load, driver, passenger, finishing equipment, options and accessories weights - Refer to basic version technical data sheet.

** In France

Standard equipment

- Basic version equipment
- Tailgate

Optional equipment

- Presence bell (all electric versions)
- Run time meter (standard in Worker)
- Trim hooks
- Radio CD/MP3/RDS
- Wood floor (combustion engine versions)*
- Side impact bars
- Rear impact bar
- Flashing beacon
- Roadsign bar (with 2 beacon lights)
- Reflecting tapes
- Diesel additional heating system (all electric versions)
- Reversing buzzer (combustion engine versions)*
- Cage
- Cage netting
- Cab wired protection

*standard on electric versions



Cage / Cage netting



Reflecting tapes



Spacious cabine



Rear impact bar



Roadsign bar (with 2 beacon lights)



Side impact bars