

Basic version

ecOLOGIC



Worker

Multitruck

Technical specifications

NEW ELECTRIC ENGINE - AC Power

| Commercial designation | Multitruck AC Power - flooded batteries | Multitruck AC Power - AGM batteries (maintenance free) |
|---|--|---|
| Homologation | Heavy quadricycles (directive 2002/24/CE cat. L7e) | |
| Engine | Electric motor 48 V AC Induction Power - Electronic controller 450A | |
| Position | Front transverse motor | |
| Max. power (kW CEE) | 8 kW nominal (peak 13) - regenerative braking | |
| Torque max. | 45 Nm at 2 000 rpm S2-5' | |
| Transmission | Automatic - ratio 1:12.3 | |
| Converter - accessory battery | DC/DC 300 W - 12V 40Ah | |
| Traction Batteries | 8x flooded lead acid batteries 6V | 12x AGM acid batteries 12V |
| Charging System | High Frequency - on board- standard plug 220 V- 16 A | |
| Charging time | 8 to 10 hours for a complete charge | |
| Max. speed | approx. 45 Km/h | |
| Range fully loaded*** | Up to 45 km | Up to 65 km |
| Maximum climbing capacity at unladen weight | More than 20% | |
| Payload* | 500 kg | 400 kg |
| Vehicle total authorised laden weight | 1 120 kg | 1 120 kg |
| Max tolerated load on front axle | 520 kg | 520 kg |
| Max tolerated load on rear axle | 690 kg | 690 kg |
| Emissions of CO2** | 0 g/km | |

*More power!
More torque!*

*Choice of
batteries!*

*Payload:
Up to 500 kg!*

COMBUSTION ENGINE

| Commercial designation | Multitruck Diesel 400 | Multitruck Diesel 600 |
|----------------------------------|--|--|
| Homologation | Light quadricycles (directive 2002/24/CE cat. L6e) | Heavy quadricycles (directive 2002/24/CE cat. L7e) |
| Engine | KUBOTA DIESEL 400 cm ³ | KUBOTA DIESEL 599 cm ³ |
| Position | Front transverse engine | |
| Max. power (kW CEE) | 4 kW CEE at 3 200 rpm | 11,2 kW CEE at 3 600 rpm |
| Torque max. | 14 Nm at 2 400 rpm | 34 Nm at 2 200 rpm |
| Tank | 24 L | |
| Transmission | Automatic - ratio 1:12 | Automatic - ratio 1:10 |
| Alternator - accessory battery | 500W - 12V 40Ah | |
| Max. speed | approx. 45 Km/h | approx. 75 Km/h |
| Consumption | approx. 3.5 (L/100km) | approx. 4.5 (L/100km) |
| Payload* | 275 kg | 530 kg |
| Total authorised laden weight | 655 kg | 950 kg |
| Max tolerated load on front axle | 390 kg | 475 kg |
| Max. tolerated load on rear axle | 450 kg | 690 kg |
| Emissions of CO2** | 77,9 g/km | 117 g/km |

* includes load, driver, passenger, options, finishing equipment and accessories weights
 ** measurement according to cycle described in directive 97/24/CE modified 2003/77/CE
 *** professional use, depends on usage conditions: contact us for further information

Technical specifications

OTHER ELECTRIC VERSIONS

| Commercial designation | Multitruck - no licence version**** | Worker |
|---|--|------------------------------------|
| Homologation | Light quadricycles (directive 2002/24/CE cat. L6e) | CE (directive machines) |
| Engine | Electric motor 48 V Separatly excited continuous current - Electronic controller 400 A | |
| Position | Front transverse motor | |
| Max. power (kW CEE) | 4 kW nominal - regenerative braking | |
| Torque max. | 30 Nm at 2 100 rpm S2-5' | |
| Transmission | Automatic - ratio 1:8.4 | Automatic - ratio 1:12.3 |
| Converter - accessory battery | DC/DC 300 W - 12V 40Ah | |
| Traction Batteries | 12 x AGM acid batteries 12V | 8 x flooded lead acid batteries 6V |
| Charging System | High Frequency - on board- standard plug 220 V- 16 A | |
| Charging time | 8 to 10 hours for a complete charge | |
| Max. speed | approx. 45 km/h | approx. 25 km/h |
| Range fully loaded*** | Up to 60 km | Up to 70 km |
| Maximum climbing capacity at unladen weight | 18% | More than 20% |
| Payload* | 275 kg | 680 kg (basic version = pick-up) |
| Vehicle total authorised laden weight | 975 kg | 1 325 kg |
| Max tolerated load on front axle | 520 kg | 530 kg |
| Max tolerated load on rear axle | 690 kg | 900 kg |
| Maximum weight Loaded trailer (with brakes) | 0 kg | 1 017 kg |
| Emissions of CO2** | 0 g/km | |

*Payload:
Up to 680 kg!*

*No licence
version *****

*Towing:
up to 1000 kg!*

* Includes load, driver, passenger, finishing equipment, options and accessories weights
 ** measurement according to cycle described in directive 97/24/CE modified 2003/77/CE
 *** professional use, depends on usage conditions: contact us for further information
 **** In France

Mecanical specifications

| | |
|----------------|---|
| Steering | Rack and pinion type |
| Braking system | Dual circuit with limiter through load sensing valve Front disc brakes - Rear drum brakes Low level wear indicator |
| Suspension | Mechanically operated parking brake on rear axle Front independant Mac Pherson strutt, coil springs Rear independant suspension, coil springs |
| Tyres | 145/70 R13 |

Dimensions (mm)

| | |
|--|-------|
| Min. overall length (Z) | 3 102 |
| Max. overall length (Z) | 3 753 |
| Min. load length (W) | 1 479 |
| Max. load length (W) | 2 130 |
| Overall width (excluding rear view mirrors) | 1 476 |
| Max. load width | 1 550 |
| Max. overall load height | 2 500 |
| Min. rear overhang (X) | 334 |
| Max. rear overhang | 985 |
| Min. limit position of centre of gravity (Y) | 1 930 |
| Max. limit position of centre of gravity (Y) | 2 060 |
| Front ground clearance* | 155 |
| Rear ground clearance* | 200 |

* Unladen vehicle ± 20mm

Standard finitions

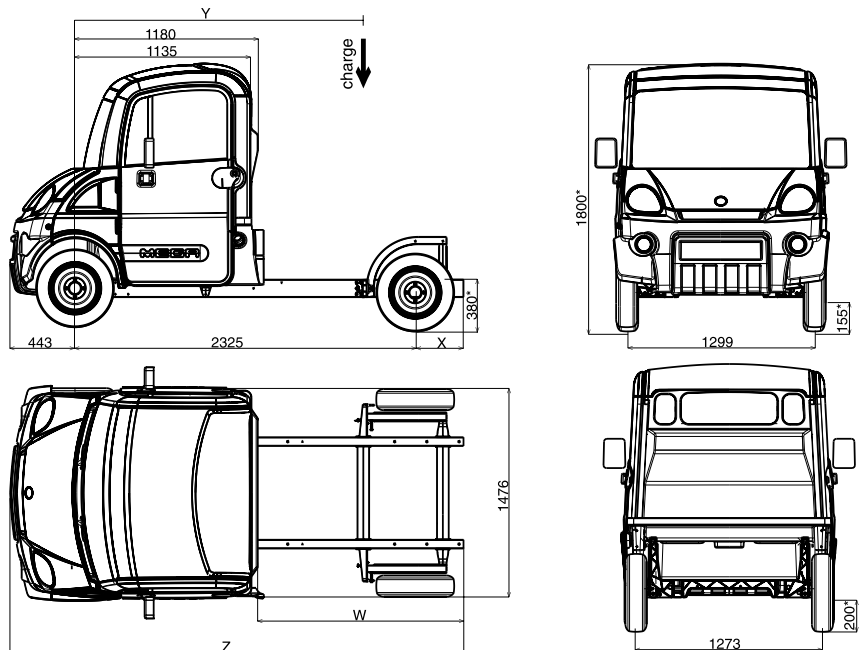
Drop side, Van, Tipper, Skip tipper, Pick-up, etc...



Standard equipment

- Keyswitch and steering lock
- Seat belts
- Automatic illuminating hazard lights in sudden deceleration
- Warning buzzer
- Inside rearview mirror
- Left and right outside rearview mirrors
- 3 - speed wiper with windscreen
- Braking electric assistance (AC Power)
- Interior lighting controlled by door switch¹
- Lockable fuel tank cap
- "Lights on" warning buzzer
- Storage under seat (combustion engine)
- Glove box
- Doors storage pocket¹
- Dashboard automobile technology
- Maintenance indicator
- Ashtray and cigarette lighter
- Wheel trims
- Boost selector (for higher acceleration and hill climbing capacity) AC Power
- Water automatic filling system (flooded batteries)
- Rubber floor mats
- Tinted glass
- 3 - speed heater with defrost¹
- 2 Sunvisors
- Prewired for radio

¹ Option on Worker



4 colours choice:

